



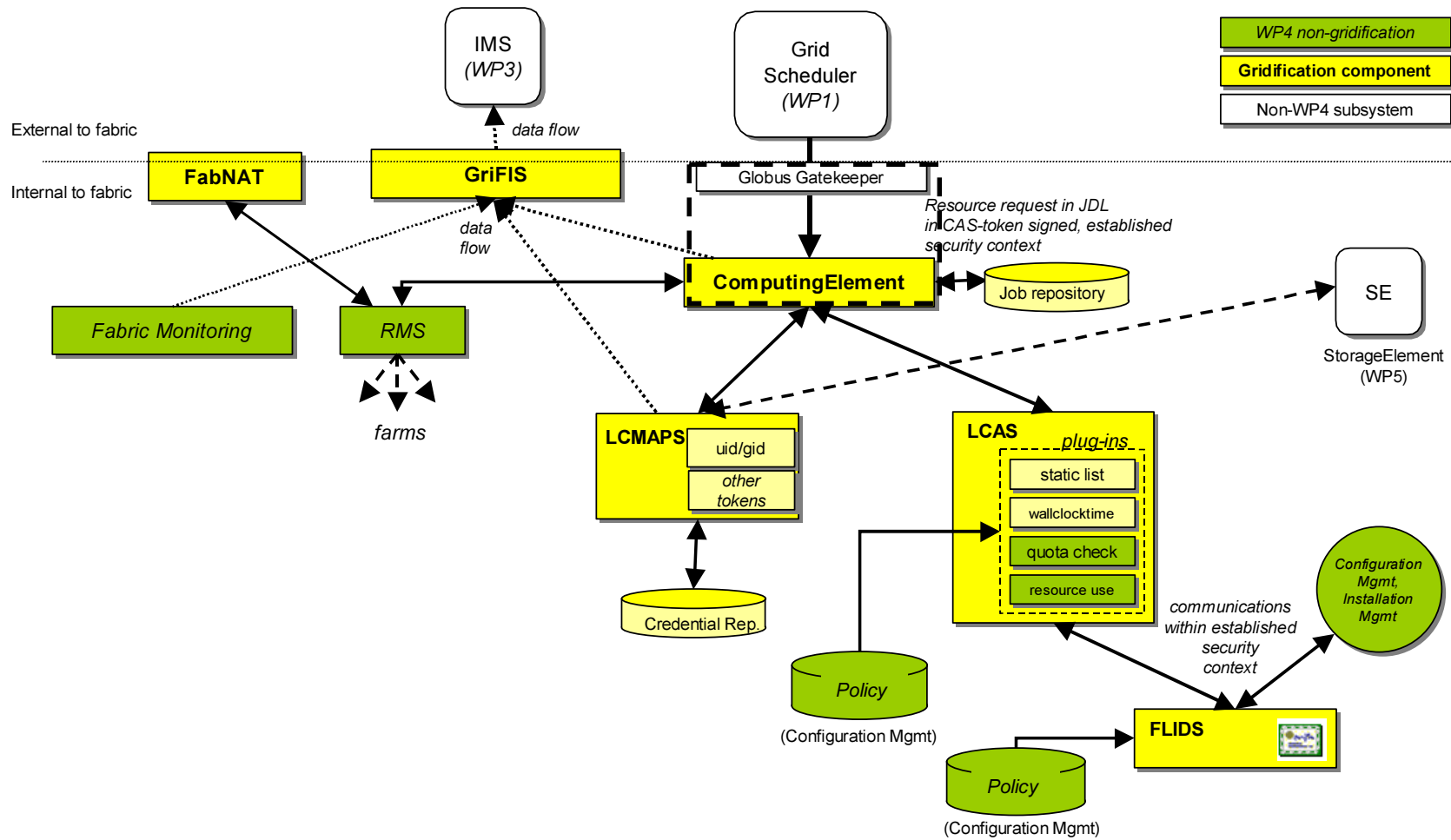
# WP4 Security Update

For WP4: David Groep

[hep-proj-grid-fabric-gridify@cern.ch](mailto:hep-proj-grid-fabric-gridify@cern.ch)



# A Job lifecycle within the Fabric





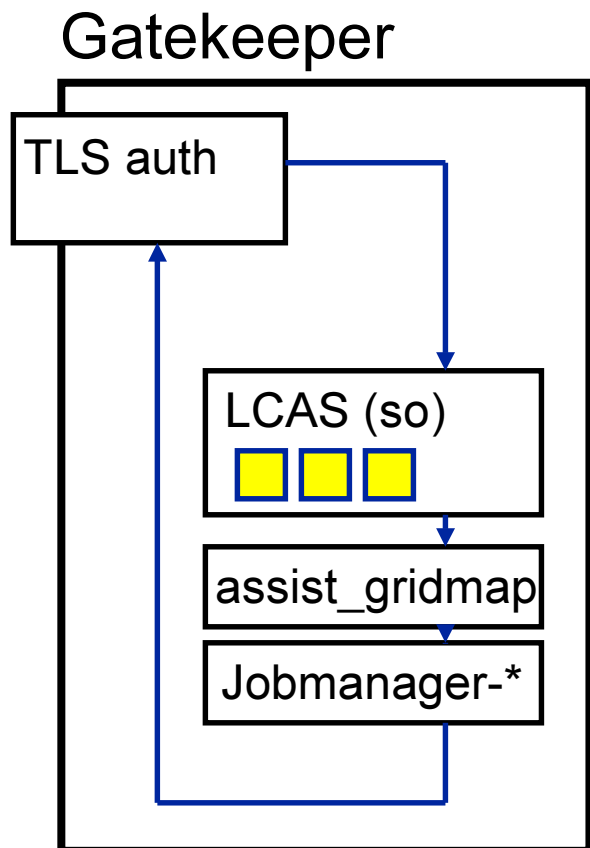
## Some WP4 security components

- ◆ Plug-able system for authorization (LCAS)
  - plug-in (PAM-like) framework
  - Use as an engine for policy-driven authorization
  
- ◆ LCMAPS local credentials
  - Credential generation plug-in framework
  - Logical place to add role support
  
- ◆ Additional modifications to gatekeeper required
  - error&status handling
  - Getting a useful message to the user

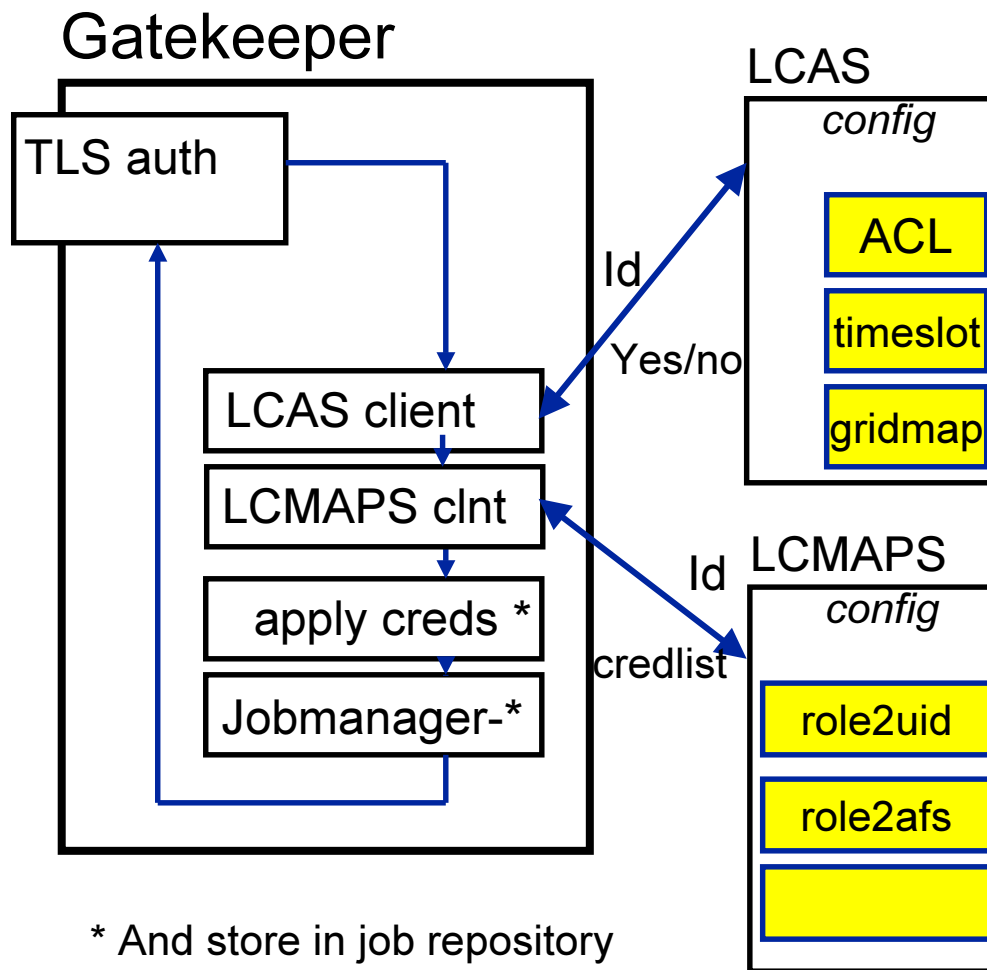


# Authentication control flow EDG gatekeeper

NOW



1.3, 1.4, 2+



\* And store in job repository



## More components

- ◆ Configuration database
  - The CDB should keep all relevant configuration/policies
  - Can publish to information services (and integrate with WP3 tools)
  - High-level description language to be defined in June workshop
  
- ◆ Monitoring
  - Monitoring over unsecure networks
  
- ◆ Local ID service
  - To eliminate confusion: primary role is *inside* fabric
  - Secure install services, etc.



## Status and plans

### ◆ Progress on LCAS

- Added hook in gatekeeper → `edg_gatekeeper`
- Early prototype in Release 1.2: shipped as shared object with three components (allow, ban, timeslot)
- Dynamic plugin framework now being unit tested within WP4/gridification
- To be released in 1.3
- More plug-in components can be developed independently (is simple)

### ◆ LCMAPS

- Release planning changed to provide it earlier (1.4)
- Keep all the useful functionality from Andrew
- Extend with role support (interaction with client side TBD)