

Javier Orellana  
*JRA4 Coordinator*



Face to Face Partners Meeting  
University College London  
11 December 2003

**EGEE**

Enabling Grids for  
E-science in Europe

# JRA4 Technical Overview



EGEE is proposed as a project funded by the  
European Union under contract IST-2003-508833

# Outline

- **JRA4 Context**
- **SA2 Overview**
- **JRA4**

# JRA4 Context

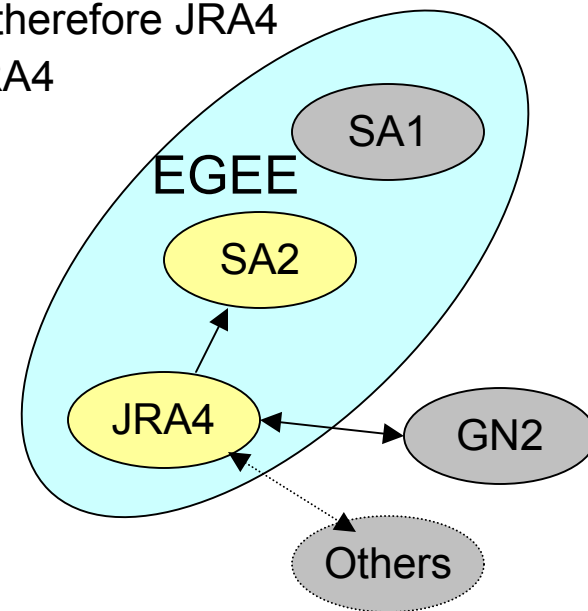
- **Close relationship with SA2**
  - SA2 responsible to coordinate network activities, and therefore JRA4
  - SA2 provides SLR/SLS/SLA definitions → Input for JRA4

- **JRA4 Partners**

- UCL
- CNRS / UREC
- DANTE
- DFN
- GARR

- **Close collaboration with DANTE's GN2 project**

- GN2 will deploy new Network Services inside GEANT
- ....like Network Bandwidth Allocation and Performance Monitoring

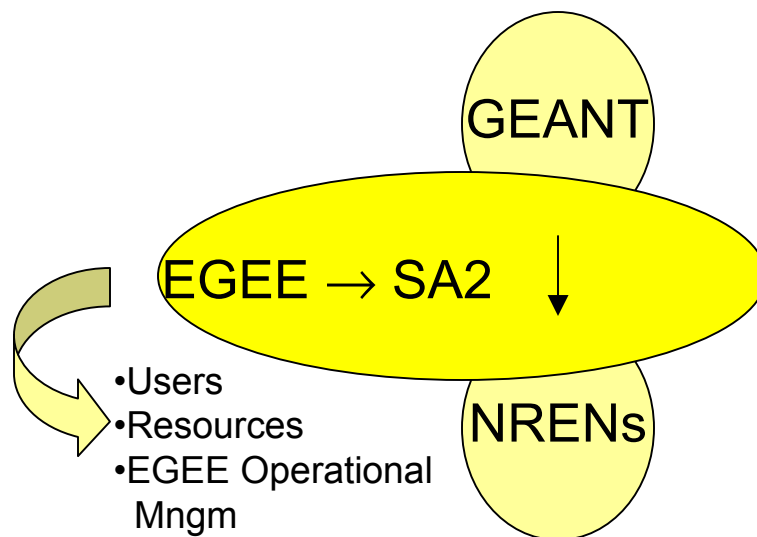


# Other EU Projects in Framework 6

- **EU will approve soon other projects, candidates:**
  - GRANDE: lead by T-Systems
  - GARDEN: lead by Cisco
  - INVITED: lead by Alcatel
  
- **Commonalities**
  - All these projects will set up testbeds for high speed networks (10 – 40Gbps)
  - Aiming to deploy new network services to manage bandwidth
  - Letter of collaboration already sent to these projects
  
- **Others**
  - Internet 2 (PiPES)
  - 6NET

# SA2 Overview

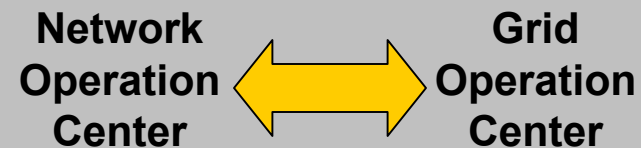
Ensure EGEE can access the new network services that will be provided by GN2 running on GEANT and NRENs.



## Policies defining Grid access to the Network:

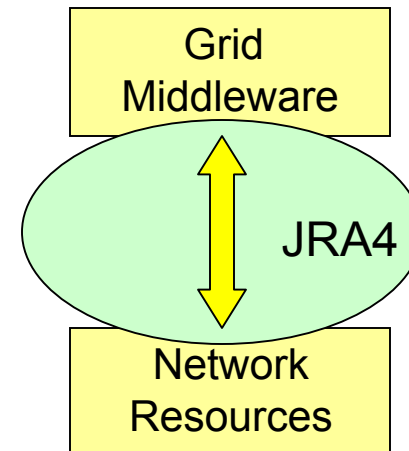
- Definition of Requirements
- Specification of Services
- Monitoring Service-Level provision

## Modelling Operations:



- **Two main tasks inside JRA4:**
  - Bandwidth Allocation and Reservation
  - Network Performance Monitoring and Diagnostic tools
- **GEANT already deploying basic infrastructure:**
  - Introduction of Layer 3 differentiated services
  - Instrumentation for network measurement

**JRA4 will provide interfaces between  
Grid middleware and Network Resources**

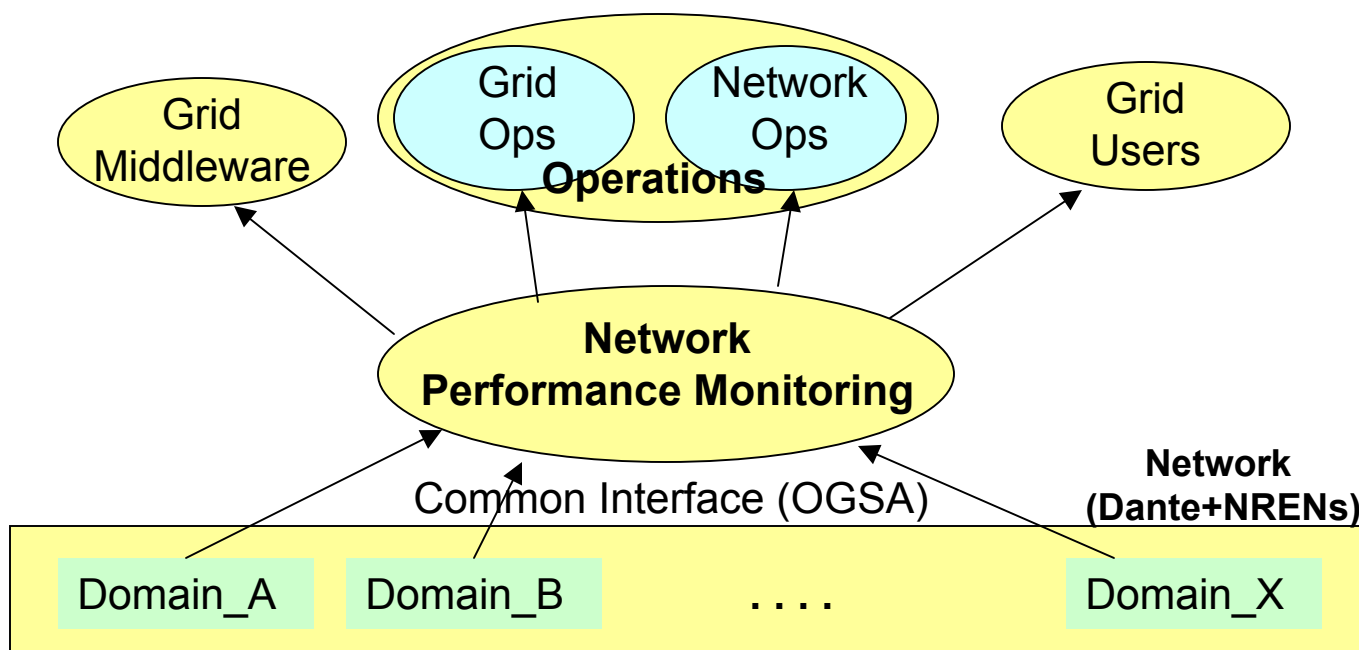


# JRA4 : Bandwidth Allocation & Res.

- **Grid projects have shown Grid applications can :**
  - Generate high volume of network traffic
  - Require higher priority than current Best-Effort service
- **therefore...**
  - ...new services required to control and balance the network usage between grid and non-grid applications.
- **EGEE will need to allocate network bandwidth to Grid applications immediately and in advance (reservation)**
- **Bandwidth allocation will need to happen across multiple domains and require Authorization and Authentication from the users.**

# JRA4 :Network Performance Monitoring

- **Grid Performance** closely linked to **Network Performance**
- **Network Performance?**, what for? :
  - Problem diagnostic and rectification
  - Facilitate resources allocation
  - Performance monitoring and SLA adherence





# JRA4 : IPv6

## **Study of the advantages of using IPv6 in Grid context:**

- DANTE deploying IPv6 in the same time-frame of EGEE
- IPv6 is effective if deployed in all domains

## **The report will cover:**

- Study of features of IPv6, highlighting the ones of interest for Grids
- Availability of IPv6 in NRENs and access networks
- EGEE internal awareness of IPv6

## **Also:**

- Collaboration with 6NET. Letter from EGEE to be sent
- Possibility of building a testbed, needs to be agreed

# JRA4 : Deliverables

## ● Bandwidth Allocation & Reservation:

- DJRA4.1 (M6, Sep/04): Specification of Interfaces (network control plane & global resource reservation middleware)
- DJRA4.4 (M21, Dec/05): Implementation of pilot
- DJRA4.6 (M24, Mar/06): Final Report

## ● Network Performance Monitoring & Diagnostic tools:

- DJRA4.2 (M9, Dec/04): Definition of standardised network measurement query/response interfaces
- DJRA4.5 (M21, Dec/05): Service to supply network perf. Information to resource brokering
- DJRA4.7 (M24, Mar/06): Final Report

## ● IPv6:

- DJRA4.3 (M18, Sep/05): Final Report

# JRA4 : Relation with other JRAs

## **JRA1 : Middleware Engineering and Integration:**

- JRA4 is closely related to this activity since the “bandwidth allocation and reservation” function
- JRA4 caters for the network-specific aspects
- “Network Cost Function”, JRA1 or JRA4 needs to continue

## **JRA2: Quality Assurance:**

- JRA4 will follow recommendations and processes from JRA2 to keep high quality products

## **JRA3: Security**

- JRA4 need make use of AAA inside of activities
- IPv6 and security issues
- Use of Firewalls