

Alice plans for EDG-2 and LCG-1

Stefano Bagnasco, INFN Torino
Piergiorgio Cerello, INFN Torino



Running Productions

- **Goal 1: simulate and reconstuct 5000 Pb-Pb central events**
 - Output size: about 1.5 GB/event (8 files), so **7.5 TB**
 - Job duration: 12 to 24 hrs
- **Goal 2: analyse these events**
 - 1 single job to analyse all the events
- **Status:**
 - about 300 central Pb-Pb events simulated
 - output stored on the EDG SE's and registered on the EDG RC
 - Output is being replicated on CASTOR at CERN and CNAF and registered in the AliEn Data Catalogue
 - About 100 events "natively" on MSS somewhere

Running Productions

- **Comments**

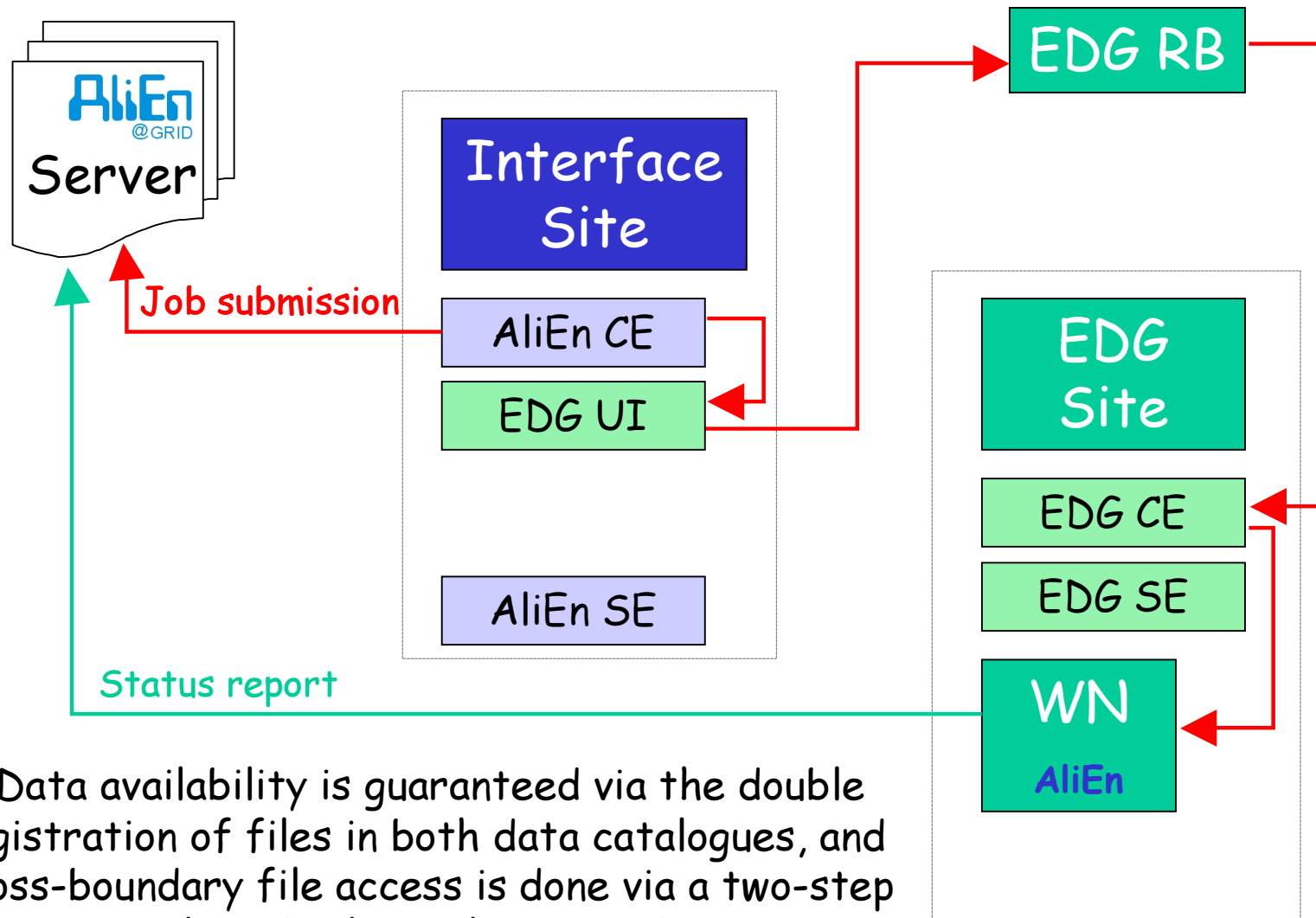
- Application Testbed unstable
- AliEn interface functionality available but unreliable
- Many jobs (at least twice the completed sample) failed for services failures
- It takes a long time to track down the errors and clean up the RC by hand when needed
- We have access to only one CE at Lyon
 - ⇒ See next slide

Running Productions

💣 The "Lyon problem"

- WN's publish the total available memory in the IS
- The JDL memory requirement is compared to the published values
- When more than a job is allowed on the WN, the memory is shared.
- Aliroot jobs break because they need more memory than the actually available amount
- Workaround by F. Hernandez, but on 1 CE only - why?

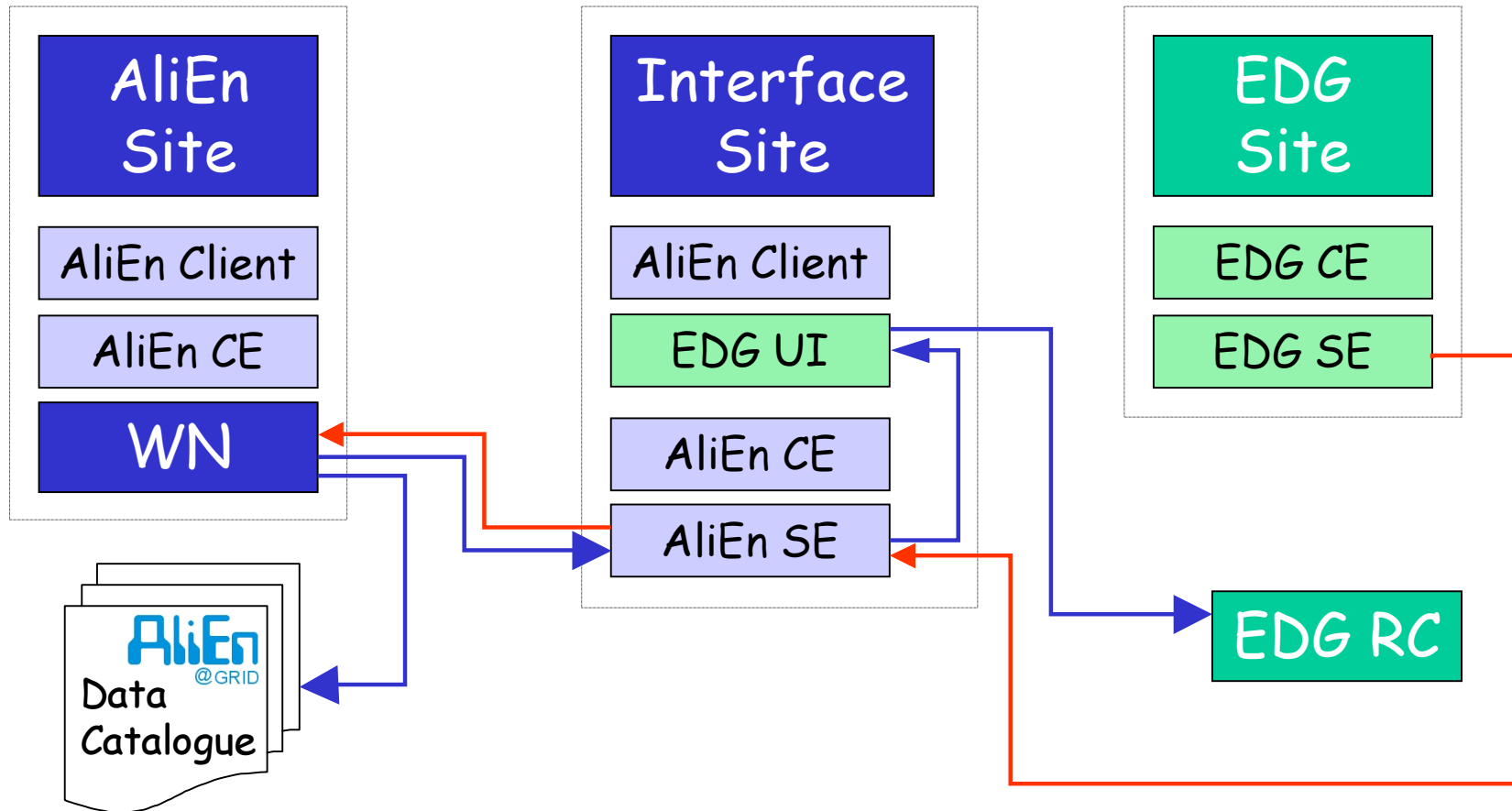
AliEn - EDG Interface



- Data availability is guaranteed via the double registration of files in both data catalogues, and cross-boundary file access is done via a two-step process involving both catalogues and an "intermediate" logical file name.

AliEn - EDG Interface

- Complex cross-boundary data access: file replication



AliEn - EDG Interface

- **Goal:** manage productions on the EDG testbed from the AliEn portal in parallel with AliEn "native" productions
 - ✓ Job submission through AliEn: **ok (but not used for production)**
 - ✓ Write Data to the AliEn Catalogue from EDG: **ok**
 - ✓ Read Data in the AliEn Catalogue from EDG: **ok**
 - ✓ Read Data in the EDG Catalogue from AliEn: **ok**
BUT performance problem (investigating)
 - ✗ Data requirements passing to the RB: **coming soon.**
 - ✗ Error management and recovery: **difficult.**
Badly need more streamlined API's...

Plans and issues - Short Term

● Open issues and short-term plans:

- ✗ Testbed Stability the major problem.
- ✓ Require OUTBOUND connectivity on WN's - ok, but for how long?
- ✗ Testbed Resources: **storage** - LCG-1
 - ✗ Complete the test production - not yet
 - ✓ Complete the AliEn-EDG interface - ok (or nearly so)
 - ✗ Run a high level (analysis) use cases - no
 - Use ALICE resources + LCG testbed under AliEn control - functionality available, in place on LCG-1

Plans - 2003/2004

- **Goal 0: complete the ongoing production** - at the present rate, it will take 18 months...
- Full functionality for data analysis is now missing: data access.
- Evaluate EDG-2 functionality with Metadata
- Try to develop an analysis use case on EDG-2
- If not possible, **use AliEn for data analysis:**
 - ROOT API to AliEn available, integration of software with Data Catalogue may be easy
 - Pseudo-interactive analysis already possible with distributed input