



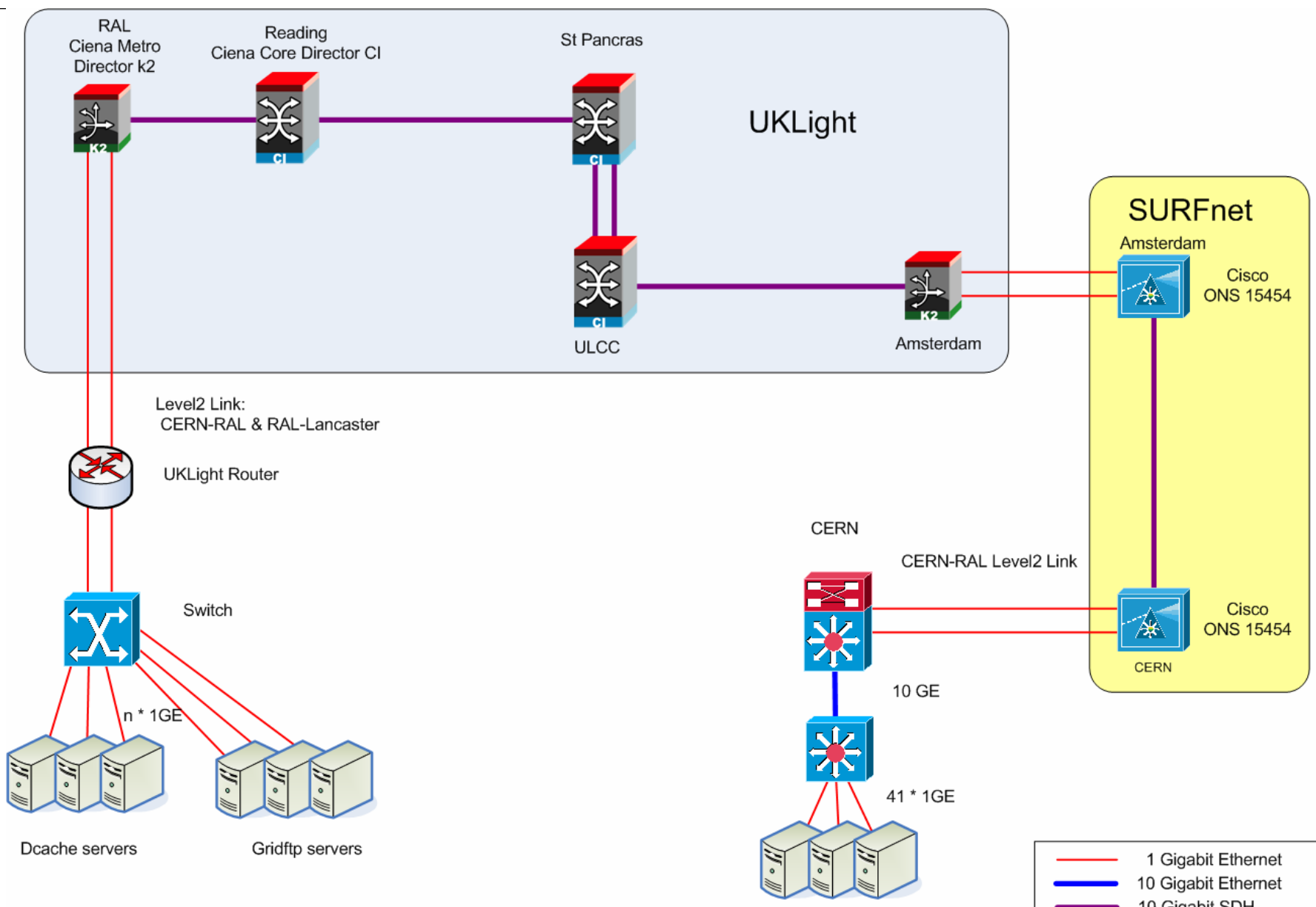
GridPP
UK Computing for Particle Physics

RAL Service Challenge Status

Andrew Sansum

LCG GDB

20 July 2005

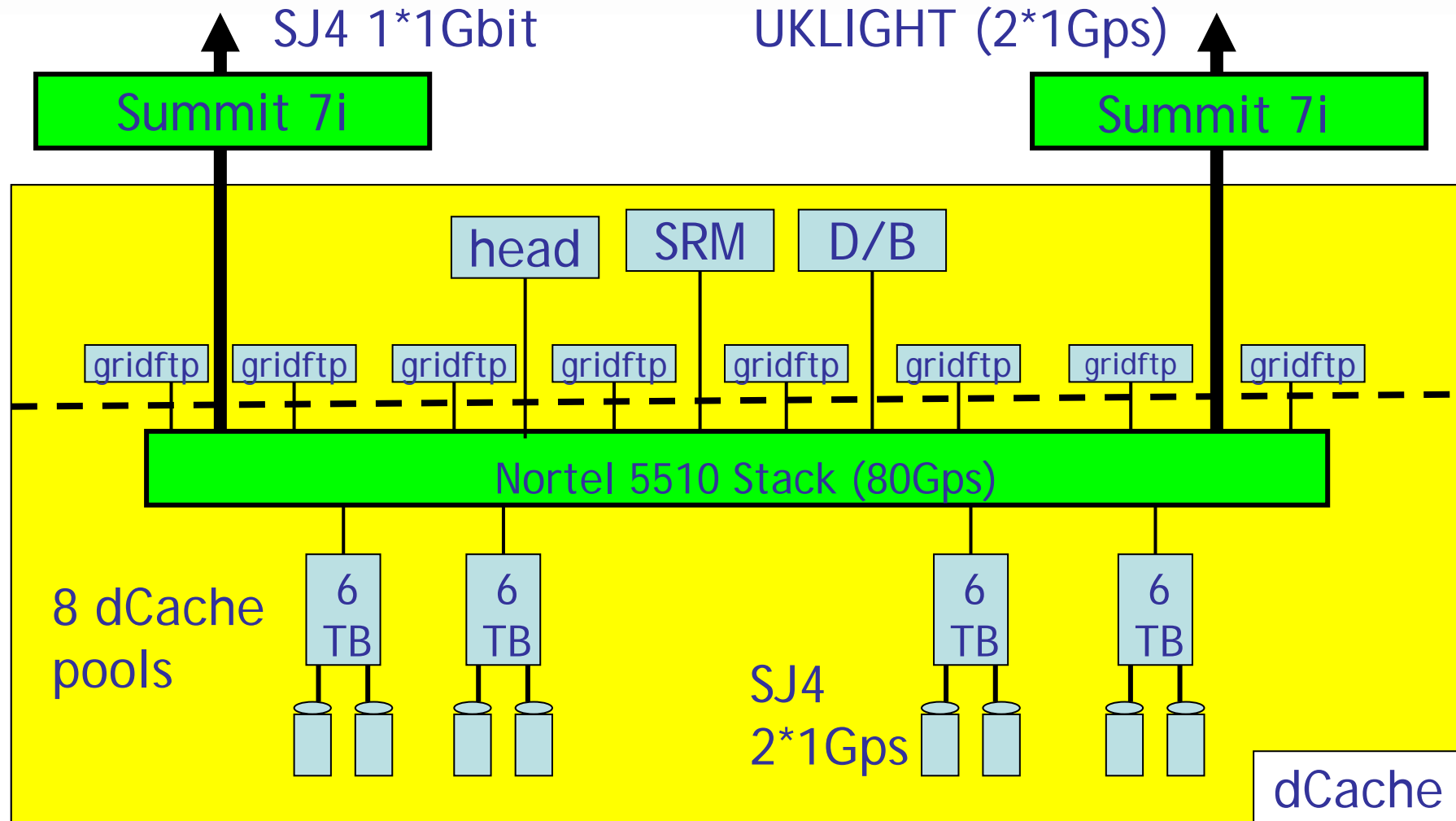


CERN-RAL Network Block Diagram

— 1 Gigabit Ethernet
 — 10 Gigabit Ethernet
 — 10 Gigabit SDH
 R. Hughes-Jones with
 Martin Bly RAL Edoardo Martelli CERN
 30 Jun 05



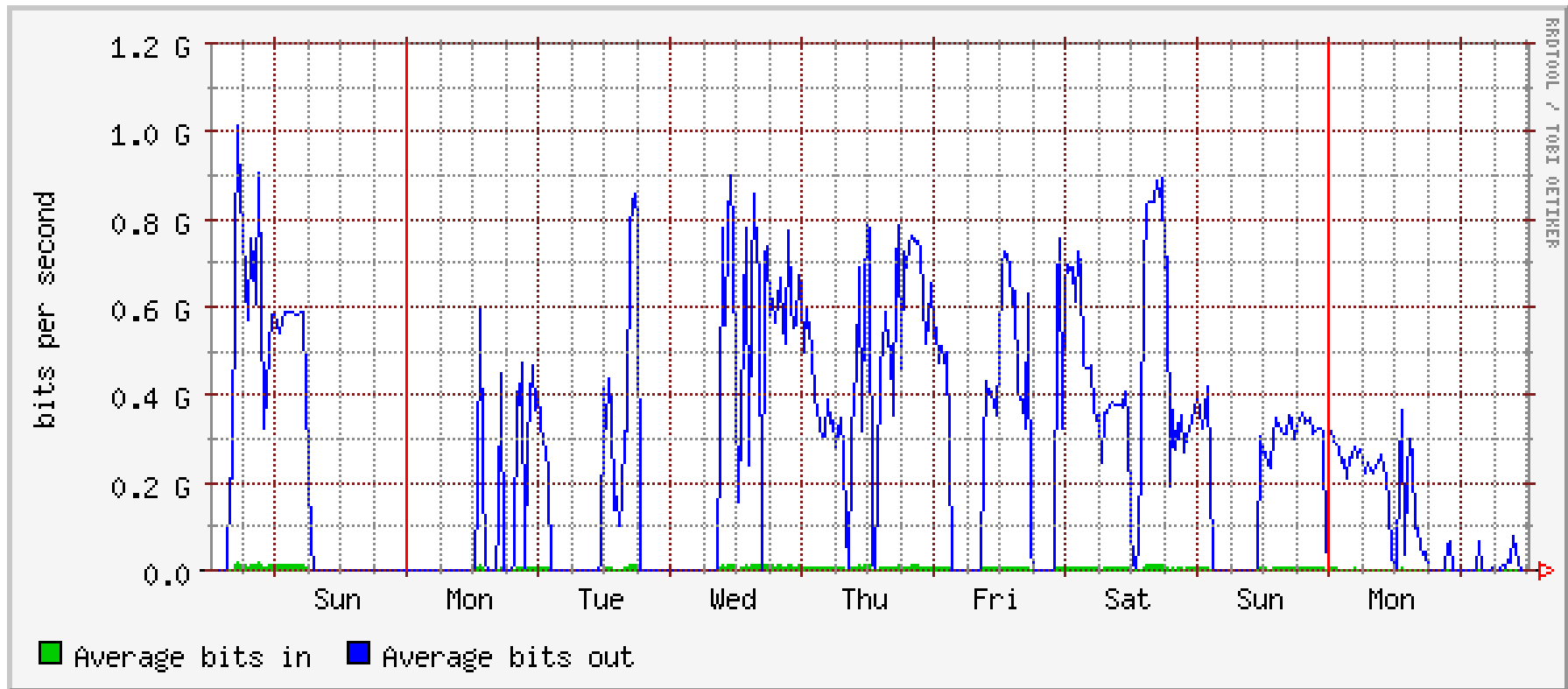
SC3 dCache SRM





GridPP
UK Computing for Particle Physics

SC3 rate Week 1





- Only one SRM at RAL - Production SRM - also FTS and LFC.
- Best sustained rate during SC3 250-300Mbits/s. Saw much faster during tests prior to start of SC3.
- Stability problems on gridftp servers (never seen before). Gridftp door node locks up with no diagnostics - rate related?
- Problem deleting files from busy pools. Huge error rate causes logs to fill.
- Recent line fault (Monday - corrected on Tuesday)
- Also running ATLAS and CMS production through same SRM.



- Good push with UK Tier-2s to deploy SRMs. 3 Tier-2 sites have deployed for SC3. Also testing DPM.
 - Lancaster via UKLIGHT (dCache)
 - Edinburgh by SJ4 (dCache)
 - Imperial by SJ4 (dCache)
- RAL-Edinburgh tested at 300Mb/s, Imperial at 50Mb/s, Lancaster (via UKLIGHT) at 40Mb/s.
- Sustained throughput tests have started but, rate still low (only Lancaster and Imperial).
- Experience with FTS functionality/reliability is good.



- Discussion between PPARC and GRIDPP about possible new financial profile for the Tier-1 hardware budget. Brought about by perceived (by PPARC) under utilisation of existing resources.
- No outcome to this discussion yet, but it is possible that there will be considerably reduced hardware spend in FY05 and increased spend in later years.