



Enabling Grids for E-scienceE

## NA3 Resources and processes

*Training resources, procedures and plans*

[www.eu-egee.org](http://www.eu-egee.org)



- **So far, training has been very successful in EGEE**
- **Because:**
  - Professional planning and execution
  - Cooperation between NA3 federations
  - Cooperation with other activities
- **NA3 processes are important because:**
  - How EU and rest of EGEE here about NA3 work
  - Help to make sure 'best practice' is disseminated across EGEE

- **Light weight processes**
  - Value in QA is that it encourages people not to avoid the process
  - Encourage events – don't make it difficult
- **Foster local provision of courses**
  - Provide help where necessary
  - Provide services – registration, GILDA/GENIUS
- **Provide central support and 'safety net'**
- **Encourage local experimentation and development of expertise**

- **Assessment**
- **Certification**
- **Central control**
- **Homogenisation**

- **UEDIN providing speakers to events (in Italy, Germany, Spain, CERN)**
- **Greek support for events in Slovakia, etc**
- **Italian support for events in other areas.**
- **Experimentation with**
  - AccessGrid provision UK-> Germany
  - Slovakia VRVS

# Process of planning an event

- **Identify the need for training**
  - Very easy to give what you want not what is required
  - Surveys/online requests
- **Identify the audience**
  - Training to very heterogeneous audiences can be difficult
- **Define learning goals**
  - ie what should students leave the event being able to do
- **What needs to be taught to meet the goals**
  - ‘chunking’
- **Find experts/trainers with the required knowledge**

- **3 months notice**
- **By 2 months local organisation, provisional agenda, advertising.**
- **1 month complete agenda (may still be changed)**
- **There can always be exceptions but not too many or too extreme.**



- **Remember experts are always busy**
- **UEDIN team here to help**
  - However are supporting events all over Europe so also need time to plan effort
- **Getting access to GILDA/GENIUS for tutorials**
  - [https://gilda.ct.infn.it/request\\_tutorial/](https://gilda.ct.infn.it/request_tutorial/)

- **Generally best to take training to the audience**
  - Students have a better learning experience if they ‘feel at home’
  - However for larger special events it can be useful to go somewhere special.
- **Suitability**
  - Venue design
    - View
    - acoustics
  - Other support
    - Catering etc
  - Facilities
    - Network connection
    - Enough computers

- **UEDIN is providing a registration services for other sites**
- **This has been used by a number of sites for events (France, Germany, etc)**
- **NB. Cannot provide support for collecting fees.**



<a href="#">NA3 Home</a>	<a href="#">Events &amp; Registration</a>	<a href="#">Suggestions &amp; Requirements</a>	<a href="#">Course Evaluation</a>	<a href="#">Training Material</a>	<b><a href="#">NA3 Admin &amp; Planning</a></b>	<a href="#">Issues</a>	<a href="#">Deliverables</a>
--------------------------	---	--	-----------------------------------	-----------------------------------	---	------------------------	------------------------------

<b>E-mail List</b>
<a href="#">Partners</a>

### NA3 Related Email Lists

#### NeSC is offering Registration support to NA3 events

If you wish NeSC to support an event you are organising with registration and a registration web page you will have to contact the [Events Team](#) with the following information.

Now being updated to web form

Registration start and close dates

Respond by date (when applicants will be told if they can attend)

URL for AgendaMaker page

URL for local page (ie. for accomodation, travel, catering, etc).

This information can be sent to the NeSC [Training Team](#) but remember that a reasonable time is required to allow for setting up registration and time for advertising the course. We suggest three (3) months prior to the dates of the course.



## NeSC Events Application

Please complete the details below to initiate an application to EGEE NA3 External Review.

NeSC Application	
The Fields marked with an asterisk (*) are mandatory	
Last Name:	<input type="text"/> *
Valid E-Mail Address:	Please note we would prefer you to use your work email for registration purposes. Using an ISP email account (e.g. a hotmail account) may delay processing of your application. <input type="text"/> *
I intend to attend the event physically <input type="radio"/>	
I intend to attend the event virtually (AccessGrid or other) <input type="radio"/>	

- **If you want the event advertised through EGEE – report it early to UEDIN**
  - Need title, date, location, organiser, agenda (URL)
- **Create agenda in AgendaMaker**
- **Create feedback form for event**
  - Remember the feedback results are also to help you improve your presentation and training design for future events

- **Summary feedback form – designed to try to be the minimal feedback needed to record event for EU.**

Notes are always shown in blue (they will be removed from the online version). Text that needs replacing is shown in red (if you wish to remove the red after editing then just remove the enclosing <span> tags).  
 If you find that you do not have the information available to fill in a section of this page then just delete the relevant part of the page.

**Event Summary Report:**

**Title:** title

**Date:** date

**Short description:** description

**Language(s) of talks:** language

**Organiser name and email:** name, email

Single paragraph highlighting issues important for monthly reports and reviews etc. Include brief description of attendee's backgrounds.

**Location:** Location of event

The location should normally be in the format "City, Country" or "Institute, City". The url should normally point to an agendmaker page (usually with presentations attached). The text describing the url should be the same as the url. The length of event is normally measured in days.

**URL (AgendaMaker):** url

**Length of event:** xxx days

(optional) **Local URL** (pictures of events, etc):

This table should list the organisations the participants came from, the country of each organisation, and how many participants came from each organisation. Add as many extra lines as needed. Please also fill in the totals for number of participants and the number of countries the participants came from.

**Participants**

Organisation, Country	Number of Participants

## Training Course Evaluation



<a href="#">NA3 Home</a>	<a href="#">Events &amp; Registration</a>	<a href="#">Suggestions &amp; Requirements</a>	<b>Course Evaluation</b>	<a href="#">Training Material</a>	<a href="#">NA3 Admin &amp; Planning</a>	<a href="#">Issues</a>	<a href="#">Deliverables</a>
--------------------------	---	--	--------------------------	-----------------------------------	--	------------------------	------------------------------

Feedback forms/Summaries are currently available for the following courses:

Course Title	Feedback Form or Summary	Location	Date
Information Technology for Risk Assessment in Water Management	<a href="#">Summary</a>	Bratislava, Slovakia	14 April, 2004
First EGEE induction course	<a href="#">Summary</a>	Edinburgh, United Kingdom	26 - 28 April, 2004
Induction to the EGEE project	<a href="#">Summary</a>	CERN, Switzerland	17 May, 2004
Induction to Grid Computing and the EGEE project	<a href="#">Summary</a>	CERN, Switzerland	18 - 19 May, 2004
GENIUS/Gilda Tutorial	<a href="#">Summary</a>	Catania, Sicily, Italy	24 - 25 May, 2004
Enabling grids for e-Science in Slovakia (EGESK)	<a href="#">Summary</a>	Bratislava, Slovakia	26 May, 2004
Grid Aware EGEE Induction Course (Greece)	<a href="#">Summary</a>	Athens, Greece	27 - 28 May, 2004
Using Web Services	<a href="#">Summary</a>	Edinburgh, United Kingdom	3 - 4 June, 2004
Grid Tutorial	<a href="#">Summary</a>	Amsterdam, Netherlands	3 - 4 June, 2004

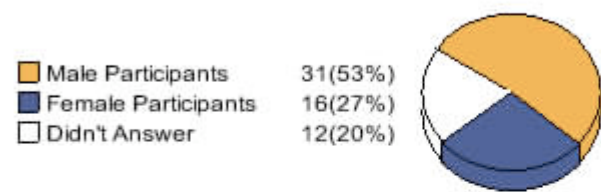


Location: CERN, Switzerland

URL: <http://agenda.cern.ch/fullAgenda.php?ida=a041863>

Length of event: 1 Day

Participants



Total number of participants: 59

Participant Countries



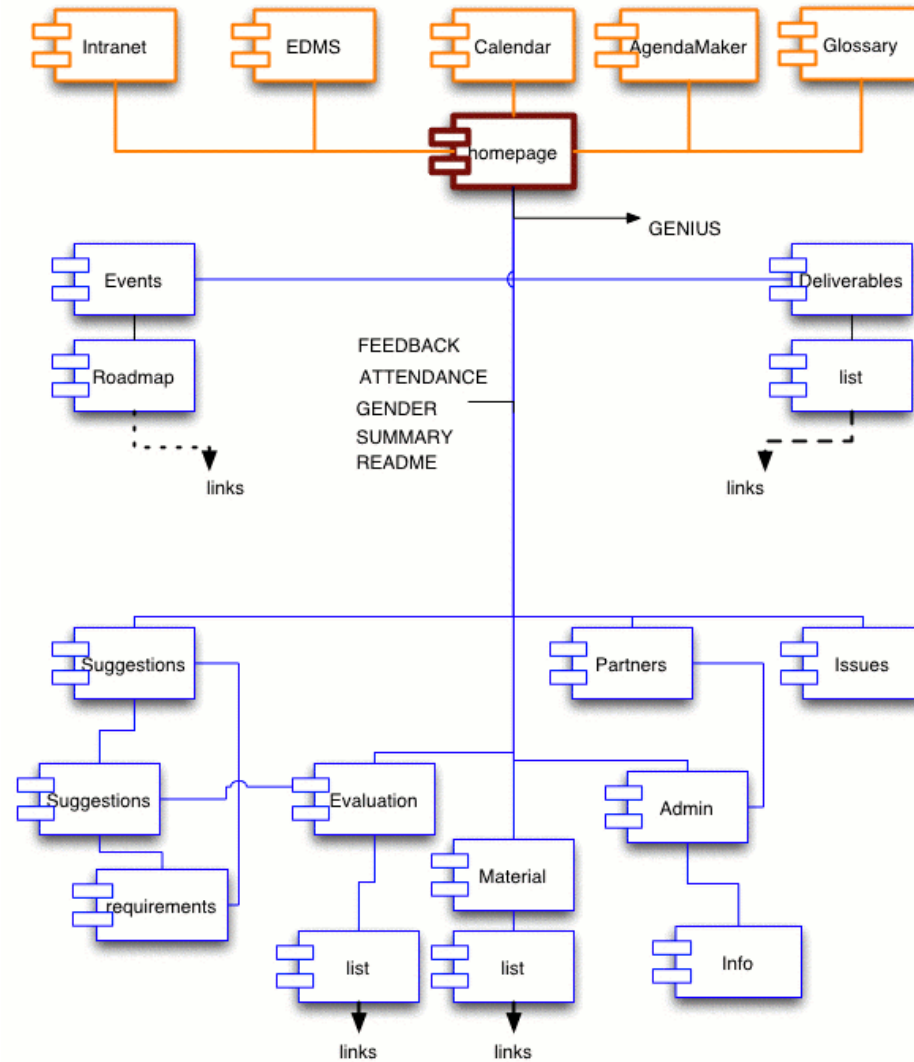
Total Number of Participating Countries: 5

Feedback Analysis

Course Component	Average value (1: poor - 5:excellent)	Standard Deviation (n=15)
Advertising	4.4	0.6
Facilities	3.7	0.99
Goal 1: Understanding of goals, context and structure of the EGEE Project.	3.4	0.8
Goal 2: Awareness of current project procedures and tools	3	0.7
Labs	2.9	1.2
Materials	2.8	0.9
Overall	3.3	0.9
Presentations	3.1	1

- **Training is an whole EGEE activity**
- **From the beginning of the project it was recognized that expertise from the other activities would be required to support the training effort.**
- **Considerable support has been received from:**
  - SA1
  - JRA1
  - NA4

## NA3 WEB SITE MAP





<a href="#">NA3 Home</a>	<a href="#">Events &amp; Registration</a>	<a href="#">Suggestions &amp; Requirements</a>	<a href="#">Course Evaluation</a>	<a href="#">Training Material</a>	<a href="#">NA3 Admin &amp; Planning</a>	<a href="#">Issues</a>	<a href="#">Deliverables</a>
--------------------------	---	--	-----------------------------------	-----------------------------------	--	------------------------	------------------------------

## NA3 Partners



- [UK & Ireland](#)
- [Italy](#)
- [Germany & Switzerland](#)
- [Northern Europe](#)
- [South East Europe](#)
- [Central Europe](#)
- [Russia](#)

click on the map or list to view federation details

## Course Forms

- [Feedback](#)
- [Attendance](#)
- [Gender](#)
- [Summary](#)
- [Feedback README](#)

## Contacts

**General training - training support**  
Tel: +44 (0)131 651 4211

## NA3 NEWS & EVENTS

15 April, 2005  
EGEE NA3 External Review:  
Edinburgh, United Kingdom:  
[Details: Registration:](#)

16 April, 2005  
Grid Technologies for Digital Libraries:  
Athens, Greece:  
[Details:](#)

17 April, 2005  
Training Day (Training the Trainers):  
Athens, Greece:  
[Details:](#)

17 April, 2005  
EGEE 3rd Conference Training Day:  
Athens, Greece:

26 - 28 April, 2005  
The PRISM Forum Meeting:  
Edinburgh, United Kingdom:  
[Registration:](#)

29 April, 2005  
The OMII Infrastructure:  
Edinburgh, United Kingdom:

## NA3 Objectives

Networking Activity 3 (NA3) - User Training and Induction focuses on meeting the following objectives:

- To produce a portfolio of training material and courses from introductory to advanced user material.
- To use this material to train a wide variety of users both internal to the EGEE consortium and from external user groups from across Europe who will make use of this infrastructure.



<a href="#">NA3 Home</a>	<b><a href="#">Events &amp; Registration</a></b>	<a href="#">Suggestions &amp; Requirements</a>	<a href="#">Course Evaluation</a>	<a href="#">Training Material</a>	<a href="#">NA3 Admin &amp; Planning</a>	<a href="#">Issues</a>	<a href="#">Deliverables</a>
--------------------------	--	--	-----------------------------------	-----------------------------------	--	------------------------	------------------------------

## NA3 Training Road Map



### Start of EGEE project: April 2004

- |   |   |
|---|---|
| <p><a href="#">All Activities meeting</a>: CERN, Switzerland: 14 January, 2004</p> <p><a href="#">Coordination meeting SA2/JRA4 and DANTE</a>: Cambridge, United Kingdom: 5 March, 2004</p> <p><a href="#">All Activities meeting</a>: CERN, Switzerland: 17 March, 2004</p> <p><a href="#">Information Technology for Risk Assessment in Water Management</a>: Bratislava, Slovakia: 14 April, 2004 : <a href="#">Summary</a></p> <p><a href="#">First EGEE induction course</a>: Edinburgh, United Kingdom: 26 - 28 April, 2004 : <a href="#">Summary</a></p> <p><a href="#">Grid Computing</a>: Innsbruck, Austria: 10 May, 2004</p> <p><a href="#">Induction to Grid Computing and the EGEE project</a>: CERN, Switzerland: 18 - 19 May, 2004 : <a href="#">Summary</a></p> | <p><a href="#">RENATER/GEANT NOC Visit</a>: CERN, Switzerland: 5 February, 2004</p> <p><a href="#">JRA4 Transatlantic performance monitoring workshop</a>: CERN, Switzerland: 17 March, 2004</p> <p><a href="#">EGEE-SEE regional kick off meeting</a>: Athens, Greece: 7 - 8 April, 2004</p> <p><a href="#">NA4/NA3/SA1 joint meeting</a>: CERN, Switzerland: 20 April, 2004</p> <p><a href="#">Bandwidth Allocation and Reservation Workshop</a>: Cambridge, United Kingdom: 6 May, 2004</p> <p><a href="#">Induction to the EGEE project</a>: CERN, Switzerland: 17 May, 2004: <a href="#">Summary</a></p> |
|---|---|



[NA3 Home](#)

[Events &  
Registration](#)

**Suggestions &  
Requirements**

[Course  
Evaluation](#)

[Training  
Material](#)

[NA3 Admin &  
Planning](#)

[Issues](#)

[Deliverables](#)

**Suggestions &  
Comments**

[Training  
Requirements](#)

### Suggestions and Comments

We welcome any suggestions and comments you may wish to make about our courses. If you wish to provide us with feedback for a recently run event, then please go to [Course Evaluation](#). If you require a training course to be provided then please use the [Training Requirements form](#).

All fields are required.

<b>Name:</b>	<input type="text"/>
<b>Email:</b>	<input type="text"/>
<b>Suggestion:</b>	<input type="text"/>



<a href="#">NA3 Home</a>	<a href="#">Events &amp; Registration</a>	<b><a href="#">Suggestions &amp; Requirements</a></b>	<a href="#">Course Evaluation</a>	<a href="#">Training Material</a>	<a href="#">NA3 Admin &amp; Planning</a>	<a href="#">Issues</a>	<a href="#">Deliverables</a>
--------------------------	---	---	-----------------------------------	-----------------------------------	--	------------------------	------------------------------

<a href="#">Suggestions &amp; Comments</a>
<b>Training Requirements</b>

## Training Requirements

Name and Email are required fields.

<b>Name</b>	<input type="text"/>
<b>Email</b>	<input type="text"/>
<b>Location for course</b>	<input type="text"/>
<b>Topic/Title of course</b>	<input type="text"/>
<b>Level of course</b>	Note: multiple selections may be made. <input type="text" value="No Preference"/> <input type="text" value="Induction"/> <input type="text" value="User"/>
<b>Length of course</b>	<input type="text"/>
<b>Possible dates</b>	<input type="text"/>
<b>Any other comments</b>	<input type="text"/>

# T-Infrastructure provision



## Training often requires special e-Infrastructure

- **T-Infrastructure emulates e-Infrastructure**
  - technical, operational & management aspects required by courses
- **T-Infrastructure may anticipate a future platform**
  - Preparing for gLite
  - Preparing for next scheduled release
- **Authentication at (or just before) a course**
  - Flexibility, light-weight – don't frighten the participants
- **Authorisation may restrict imposed loads**
  - Limit student & course impact – e.g. from errors
- **T-Infrastructure may be operated in isolation**
- **Guarantees of availability and response**
  - Student exercises generate peak loads
  - Pedagogical requirement for a quick response

- **GILDA provides a prototyping mechanism to bring applications and communities to EGEE**
- **GENIUS provides a user friendly portal for introducing users to grids**
- **GILDA/GENIUS provide support to training activities**
  - Demo mode, no certificates required
  - Certificated users – special VO, portal access to many applications
  - Developer access to GILDA

- **Metadata**
  - Date, course topic, module, author, location, language, version, file type, practical resources, external resources, comments, course level
  - used to search for material through query interface
- **Archive now has**
  - over 100 presentations, over 300 files, 34 modules
  - 7 course topics
    - EGEE induction
    - Globus ToolKit
    - LCG2 APIs
    - LCG2 Installation and Administration
    - UML for developing web services
    - Web Services
  - <http://www.egee.nesc.ac.uk/trgmat/index.html>
- **Web-based centralised registration & scheduling of courses**
  - Supported by UEDIN
  - Integrated support using database infrastructure

**Revision and refinement of material improves its quality**

- <http://www.egee.nesc.ac.uk/trgmat/index.html>
- **Structure**
- **Implementation**
- **IPR**
- **Attribution**
- **EGEE copyright and open repository**



### Download Training Materials

If you have materials which you would like to be included in the EGEE NA3 repository please email a URL from which they can be uploaded to [David Fergusson](#).

#### Presentation materials available from the training reposit

##### Search:

◦ By Presentation

- [Title](#)
- [Keywords](#)

◦ By Event

- [Title](#)
- [Date](#)

April 2004

◦ By Module

EGEE applications introduction

◦ By Course

EGEE Induction



## Training Material



[NA3 Home](#)

[Events & Registration](#)

[Suggestions & Requirements](#)

[Course Evaluation](#)

**[Training Material](#)**

[NA3 Admin & Planning](#)

[Issues](#)

[Deliverables](#)

### Download Training Materials

#### Matches found for search criteria: date

13 presentations were found.

[Adding new applications to EGEE infrastructure \[9\]](#)  
*Version: 1.0*

[Applications on Grids \[2\]](#)  
*Version: 1.0*  
[\[Presentation.ppt\]](#)

[EGEE Infrastructure: How to Join as Users, Sites and Virtual Organisations \[12\]](#)  
*Version: 1.0*  
[\[Presentation.ppt\]](#)

[EGEE organisation and procedures \[13\]](#)  
*Version: 1.0*  
[\[Presentation.ppt\]](#)

[EGEE: Types of Induction \[14\]](#)  
*Version: 1.0*  
[\[Presentation.ppt\]](#)

[General components of Grid middleware and User Interface \[15\]](#)

- **Comments under editorial control**
  - All the information is currently to be put into the db manually at NeSC. This is a conscious decision to maintain editorial control – rather than automatic uploading
- **Ask other activities – lists of topics, keywords, glossary items**
  - It may be useful to get the other activities to supply keywords etc that they think are important. This might also serve to highlight areas where training is needed.
- **Index by language**
  - There should be a provision to search for presentations in particular languages.
- **Returning material to archive after translation**
  - Part of the duties of NA3 partners is to provide translations of training material. This could be done by returning translated material for inclusion in the repository.

- **Prerequisites**
  - It should be possible to attach prerequisites to courses and practicals which can be shown to potential users.
- **Need for browsing**
  - It is important that users can browse over the whole archive as well as performing searches.
- **Other search criteria**
  - There are a number of possible search modes not currently implemented in the interface – these will have to be added.
- **Provenance visible (logos ?)**
  - Should logos be included with titles in hits. Malcolm has found this important in the past. Although we have to be aware of issues like needing permission to use the GGF logo.
- **Licensing – openness , a NA3 document licence**
  - The current EGEE licence states that documents can't be modified. This doesn't fit well with the needs of training. To be raised at the PEB.
- **Development space in repository (who is developing what?)**
  - The repository schema could be modified to also contain information about who is developing what courses so that resources can be pooled.



- **Boon Low recently hired**
- **Provide framework for the disparate multimedia/eLearning resources already available**
- **Extend existing archive using Digital Library technologies in a hybrid framework:**
  - Bespoke Web Services
  - Extend existing Fedora/ELF frameworks

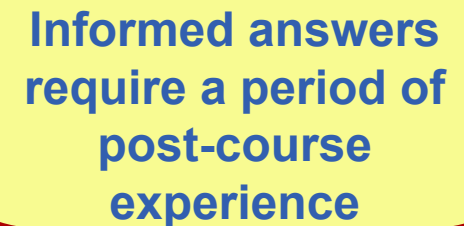
- **SMIL - Christos – investigation and reporting on using SMIL.**
  - Christos from GRNET demonstrated a net based application for providing synched video and slides. He will provide documentation for this system so that it can be evaluated for use in NA3.
  
- **Video**
  - A number of groups have been videoing presentations etc.
  - For inclusion in eLearning/Archive – need short sections (1 -5 min) which can be indexed.
  
- **Ruediger – linux CD distro (XEN) for training grid (grid in a box) - workshop.**
  - Ruediger suggested that the XEN CD based Linux distribution may be a viable basis for a ‘course in a box’. A workshop with interested parties to try to put this together was suggested.
  
- **Multiple approaches (but not too many) – get on with it!**
  - Malcolm noted that the important thing was to get going!

# Issues and Plans

The training team's primary concerns are

- **Sustain high-quality training across the region needs**
  - Continuous collaboration
  - Focus
  - Leadership
  - Communication
  - Resources
- **Experts under heavy demand needed**
  - to inform planning, preparation and delivery of new courses
  - Consequence of rapidly developing e-Infrastructure
- **Demand for training is growing rapidly**
  - expands with each new community and operational advance

- **All deliverables and milestones met for first 9 months**
- **Next milestones and deliverables:**
  - MNA3.3 External review of User Training and Induction
    - External technology experts, educators & students
    - Independent view to influence planning
    - Follow up survey – what impact does our training have
    - Do people now use EGEE?
    - Work with other e-Infrastructure?
    - Work more effectively within EGEE?
    - ...
  - DNA3.1.3 Training Plan revision
  - DNA3.3.2 Training Progress Report update

A yellow callout box with a red border and a tail pointing to the list of questions. The text inside the box is in blue.

**Informed answers  
require a period of  
post-course  
experience**

- **Focus on Application Developer courses**
  - Support new application domains brought in by NA4
  - Partners have been asked for new commitments in this direction
- **The limitations of *ad hoc* t-Infrastructure recognised**
  - UEDIN physical resources to address this requirement.
- **Expansion of the materials archive**
  - Improvements to structure and interface
  - Based on feedback from trainers and self-paced learners

- **Use grid-based technology to present courses**
  - Tried Access Grid at UEDIN, FZK, SLOVAKIA
  - Expect to increase the use of video conference in courses
- **GRNET explored SMIL extensions to XHTML**
  - Associating presenter's audio & video with slide presentations
  - Expect to use extensively for e-Learning
- **Expand e-Learning technology and materials**
  - To provide increased support for training
  - To support self-paced learners
  - New staff member appointed at UEDIN
- **Established User Information Group (UIG)**
  - To improve the provision of information to all EGEE users
    - Accessible, consistent, well-organised for new users
  - Spanning NA2, NA3, NA4, and SA1

- **Established an effective and *federated* collaboration for training**
  - Across the whole of the EGEE geographic area
- **Significantly exceeding our first year goals**
  - In the provision of training
- **Identified and met the requirement for t-Infrastructure**
  - Pioneering its provision with GILDA
  - Establishing shared training material repository
- **Training has been extended to many other countries**
  - Bringing new communities to EGEE
- **Plans**
  - Focus on application developer and advanced courses
  - Further develop training support mechanisms
    - t-Infrastructure, e-Learning & gLite migration support
  - Respond adroitly to new requirements



- Existing EDG tutorials
- JRA1 test suite



Enabling Grids for E-science

# Expanding and extending the training activity

- **ICEAGES SSA**
- **EGEE II**
- **Local applications for grants (eg. BBSRC in UK)**

- **Recognized at 2<sup>nd</sup> EGEE conference, den Haag December 2004 that coordination of EGEE documentation is required.**
- **UIG group formed on an initiative from the NA3/NA2/NA4 meeting.**
- **Work plan agreed with Project Executive Board (PEB)**
  - Segregating documentation into: User, Application Developer, Operations for collation.

# Comments and Questions Please