

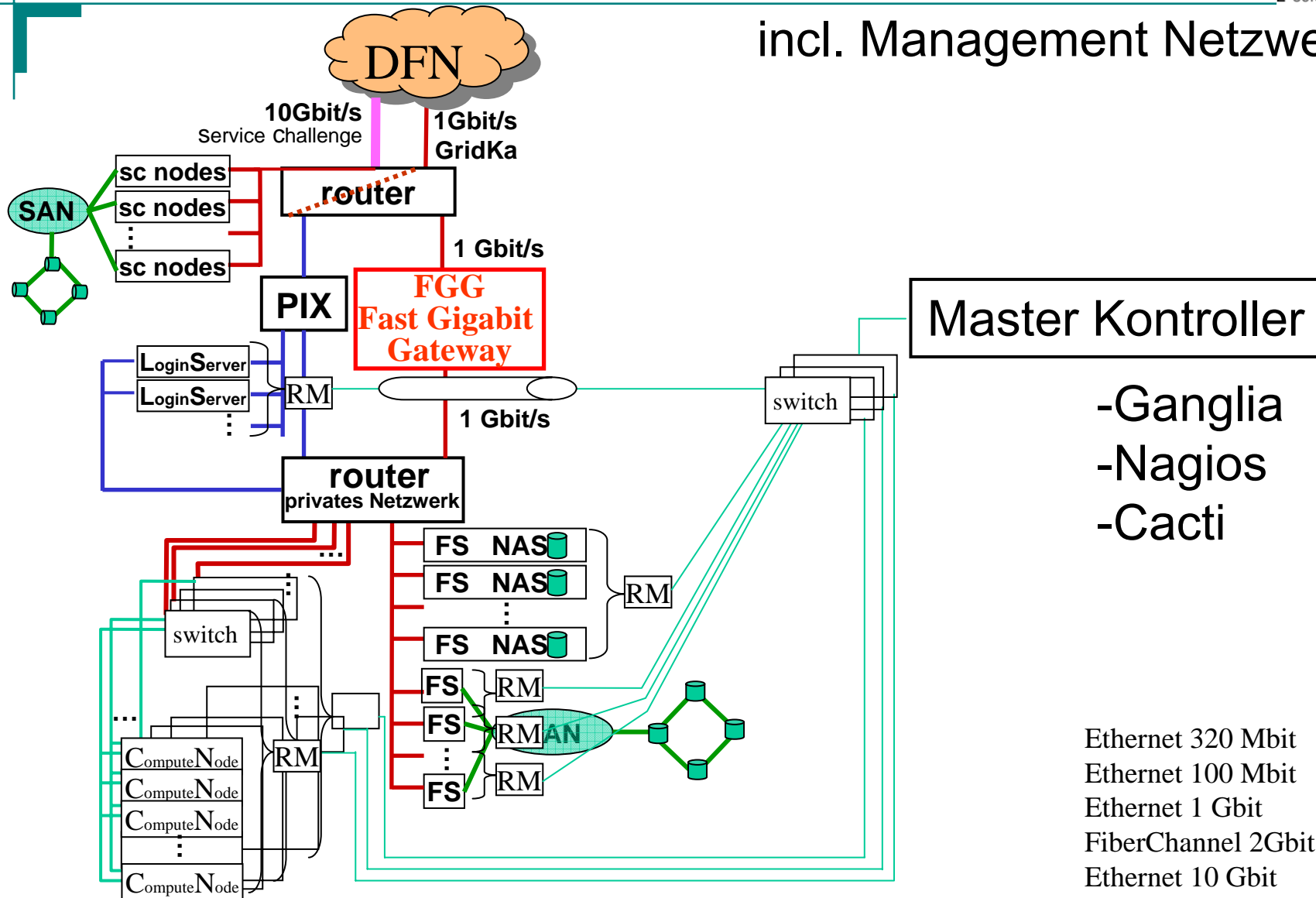
T0/T1 – GridKa/CERN Network

Forschungszentrum Karlsruhe GmbH
Institute for Scientific Computing
P.O. Box 3640
D-76021 Karlsruhe, Germany
<http://www.gridka.de>

Bruno Hoefft

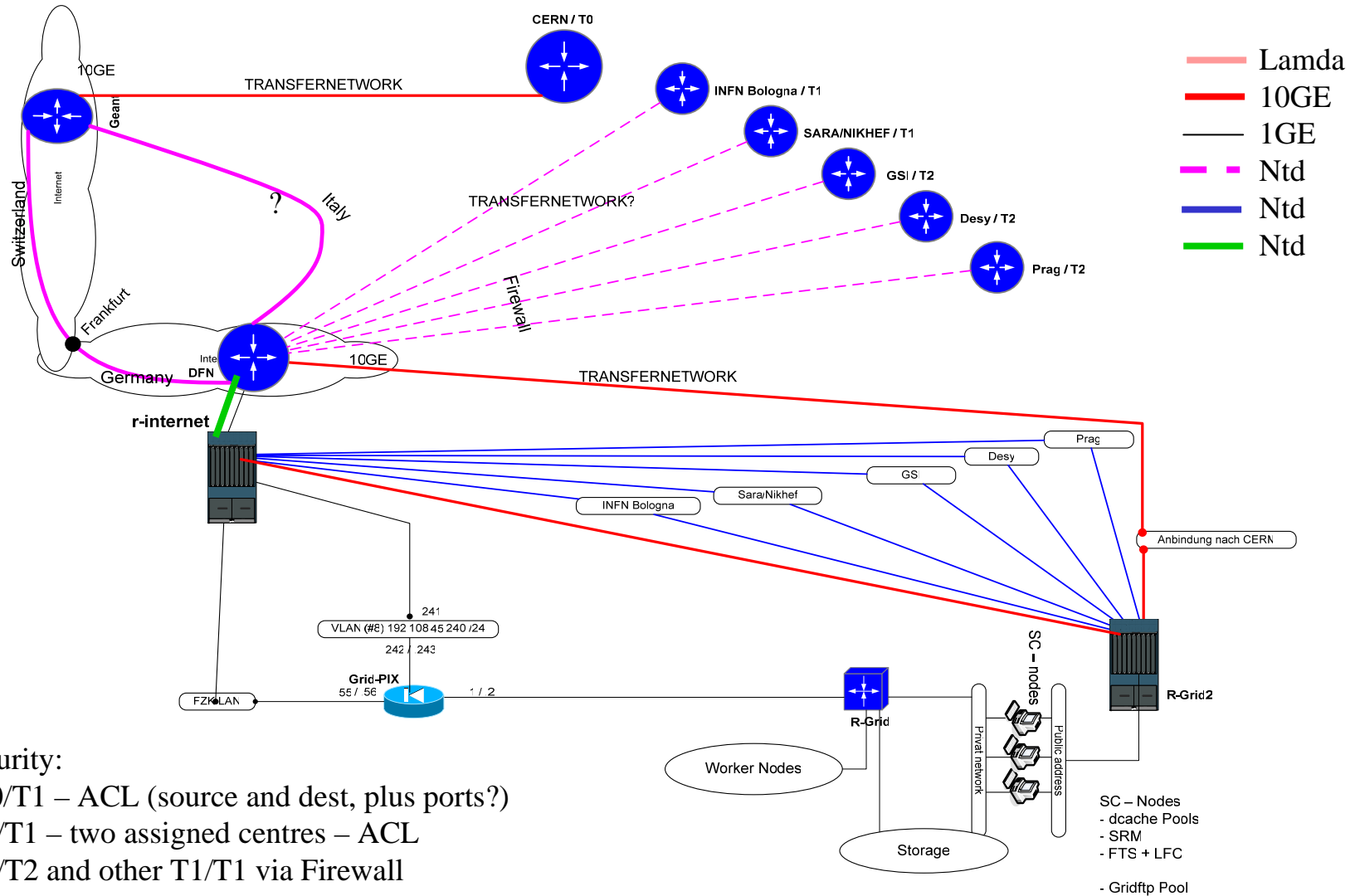
GridKa Netzwerk

incl. Management Netzwerk



- Ganglia
- Nagios
- Cacti

- Ethernet 320 Mbit — blue line
- Ethernet 100 Mbit — green line
- Ethernet 1 Gbit — red line
- FiberChannel 2Gbit — purple line
- Ethernet 10 Gbit — pink line



Security:

- T0/T1 – ACL (source and dest, plus ports?)
- T1/T1 – two assigned centres – ACL
- T1/T2 and other T1/T1 via Firewall

- Lightpath network should be realized and administered by Géant (a combination of NREN and Géant) or a separate supplier
 - The purchasing costs for single port would be cheaper
 - Maintenance and administration of active network components
 - A 24*7 service more likely to be realized
- Routing / BGP / AS
 - Transfernetwork with from connected T1 centres independent ip segment (CIDR), administered from ?
 - AS different from connected T0/T1?, see mail from David Salmon

Danke für Ihre Aufmerksamkeit



Questions