

GEANT2



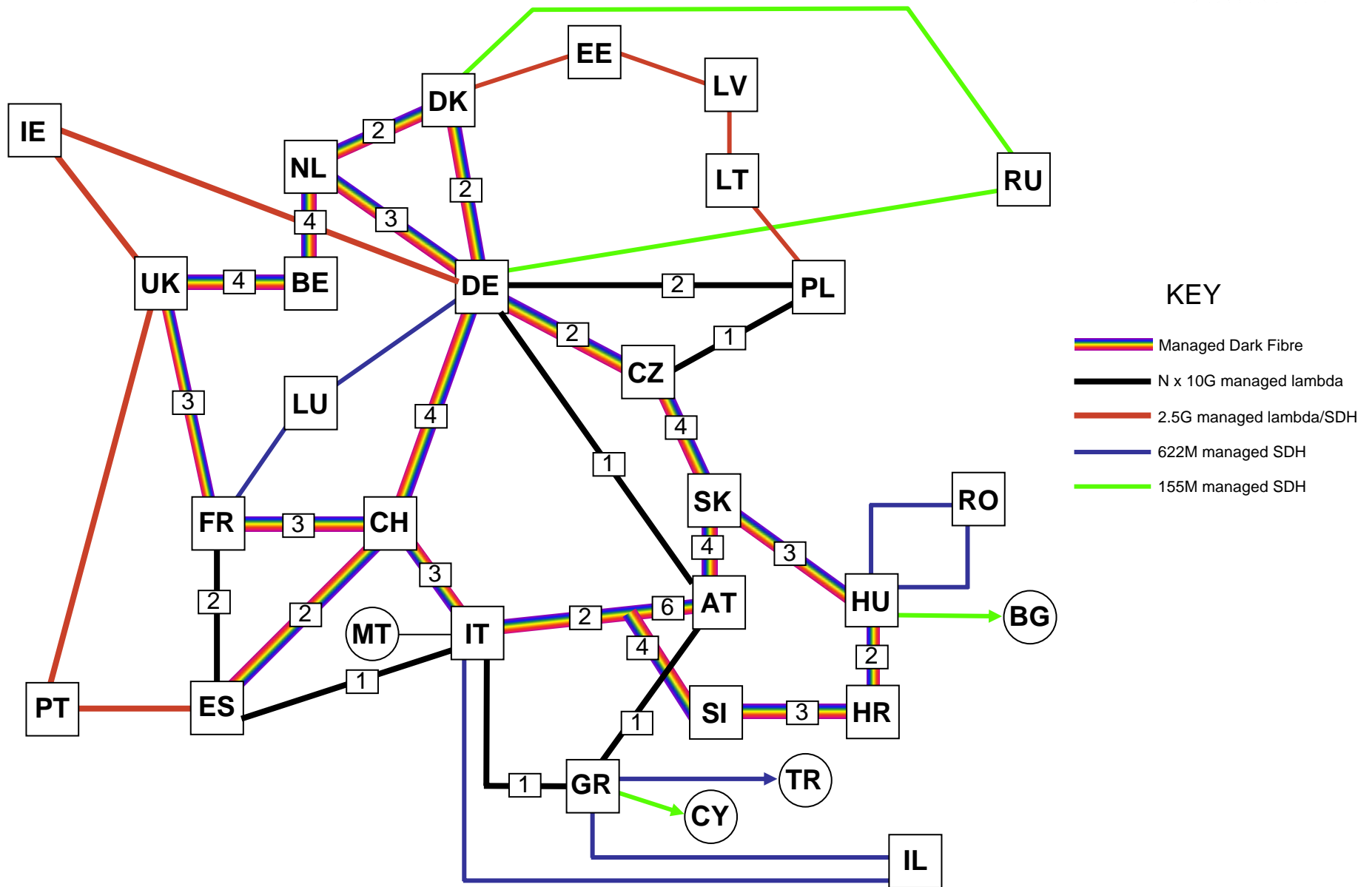
Connect. Communicate. Collaborate

GÉANT2

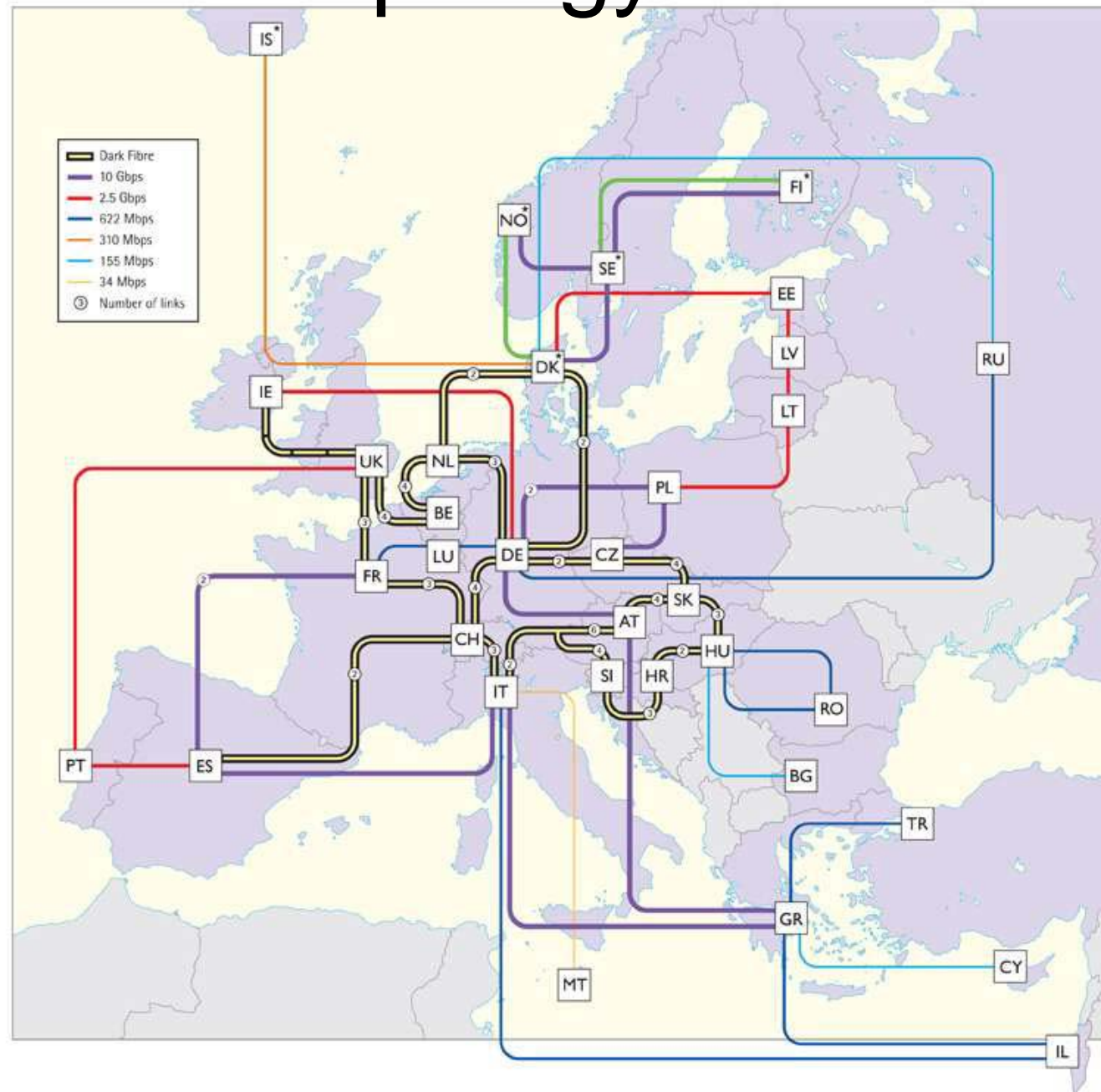
Hans Döbbeling/DANTE

T0/T1 Meeting, CERN, Genève 19.7.2005

GÉANT2 Topology



GÉANT2 Topology



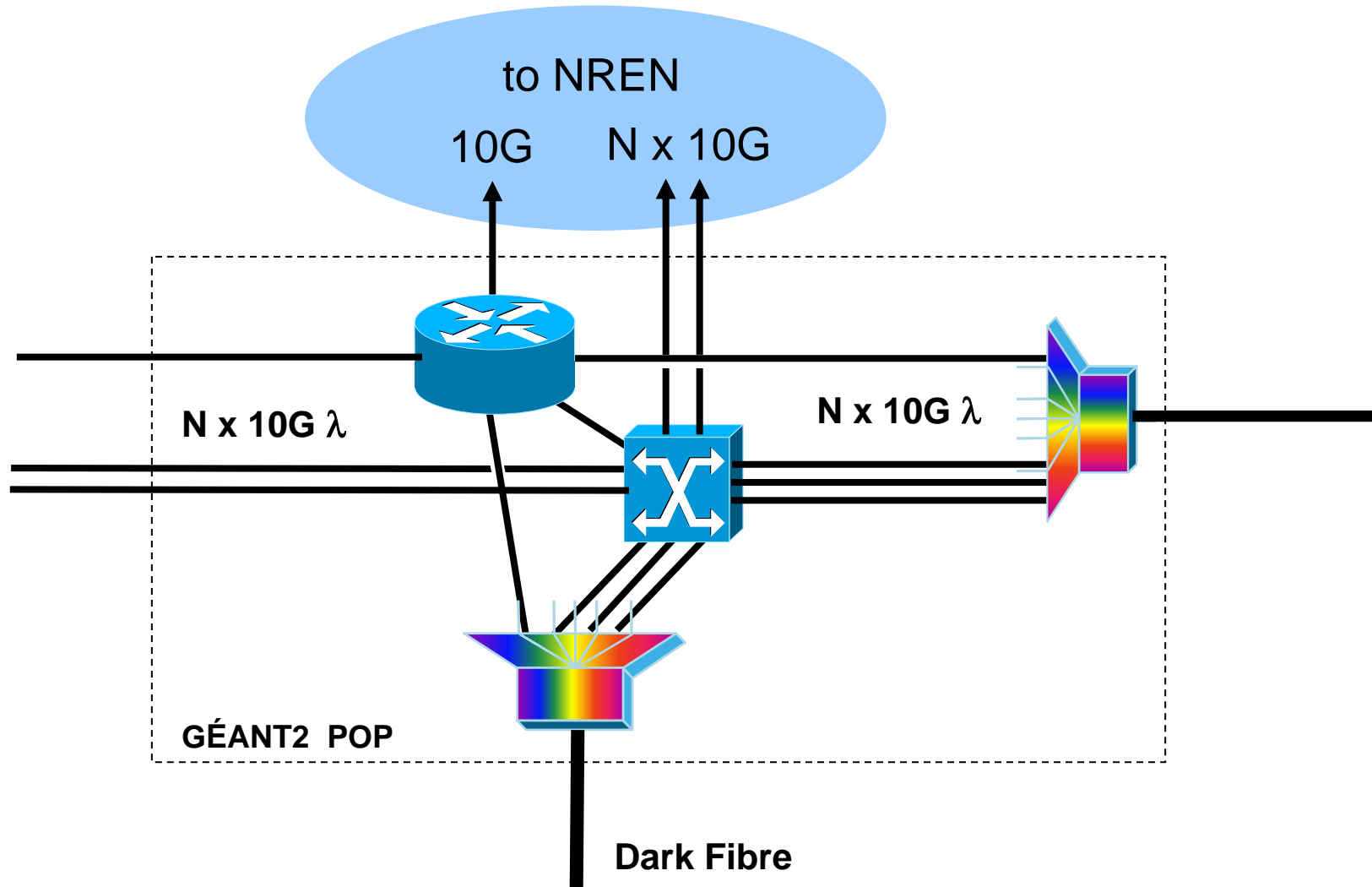
State of Procurement

- Contracting Phase
 - Equipment
 - NOC Services
 - Routes

GÉANT2 Cost Sharing & Economy

- Equitable & fair
- Level differences in Europe
- Annual subscriptions by NRENs
- Dark Fibre footprint is paid for by the NREN subscriptions
- Support for Projects
- Commitments by T1 Centres to NRENs

GEANT2 Hybrid POP



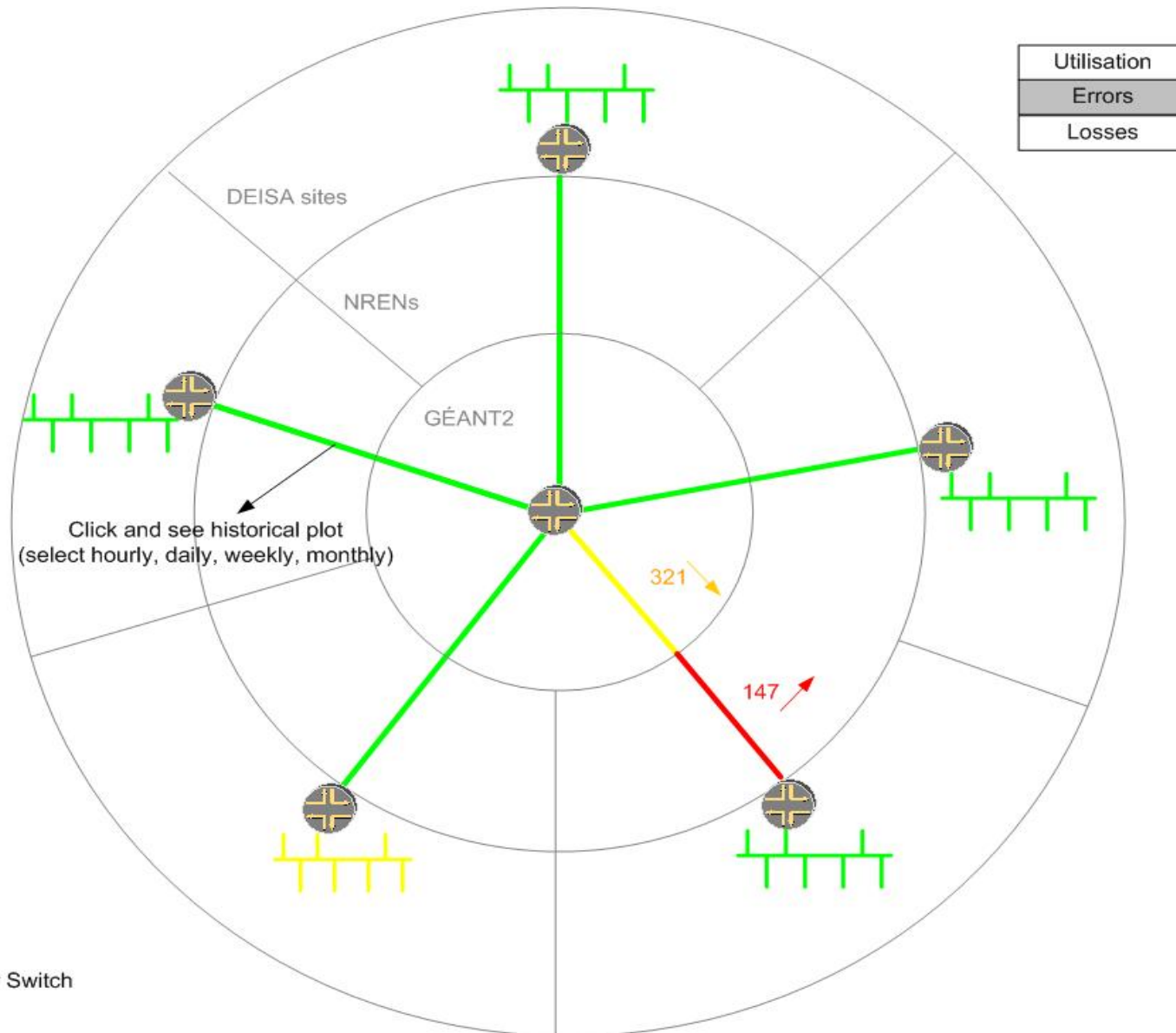
Transmission & Switching Equipment

- Alcatel LM1626
 - Layout for 40 wavelenghts
 - 10 GB
- Alcatel MCC 1628 TDM Switch
 - 1 GE
 - STM16, STM64
 - Quad 10GE (12-2005)
 - Packet switching Module (1-2006)

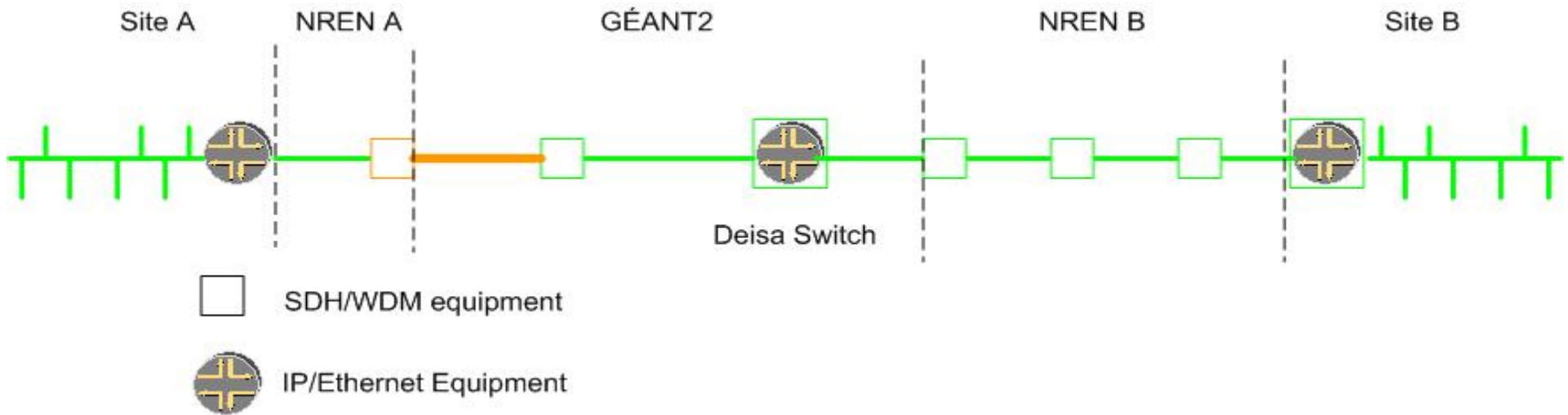
GÉANT2 Point to Point Network Services

- 1 GB Ethernet MTU 9600 Bytes
 - GE I/F, GFP
 - 10 GE I/F, GFP, VLANs on 10GE link
 - STM64 I/F, GFP elsewhere
- 10 Gigabit Ethernet LAN-PHY Service
 - Quad 10 GE LAN-PHY Card in November 2005
- 10 Gigabit Ethernet Service over G.709 wavelength
 - Transmission Equipment Only

Lightpath Monitoring

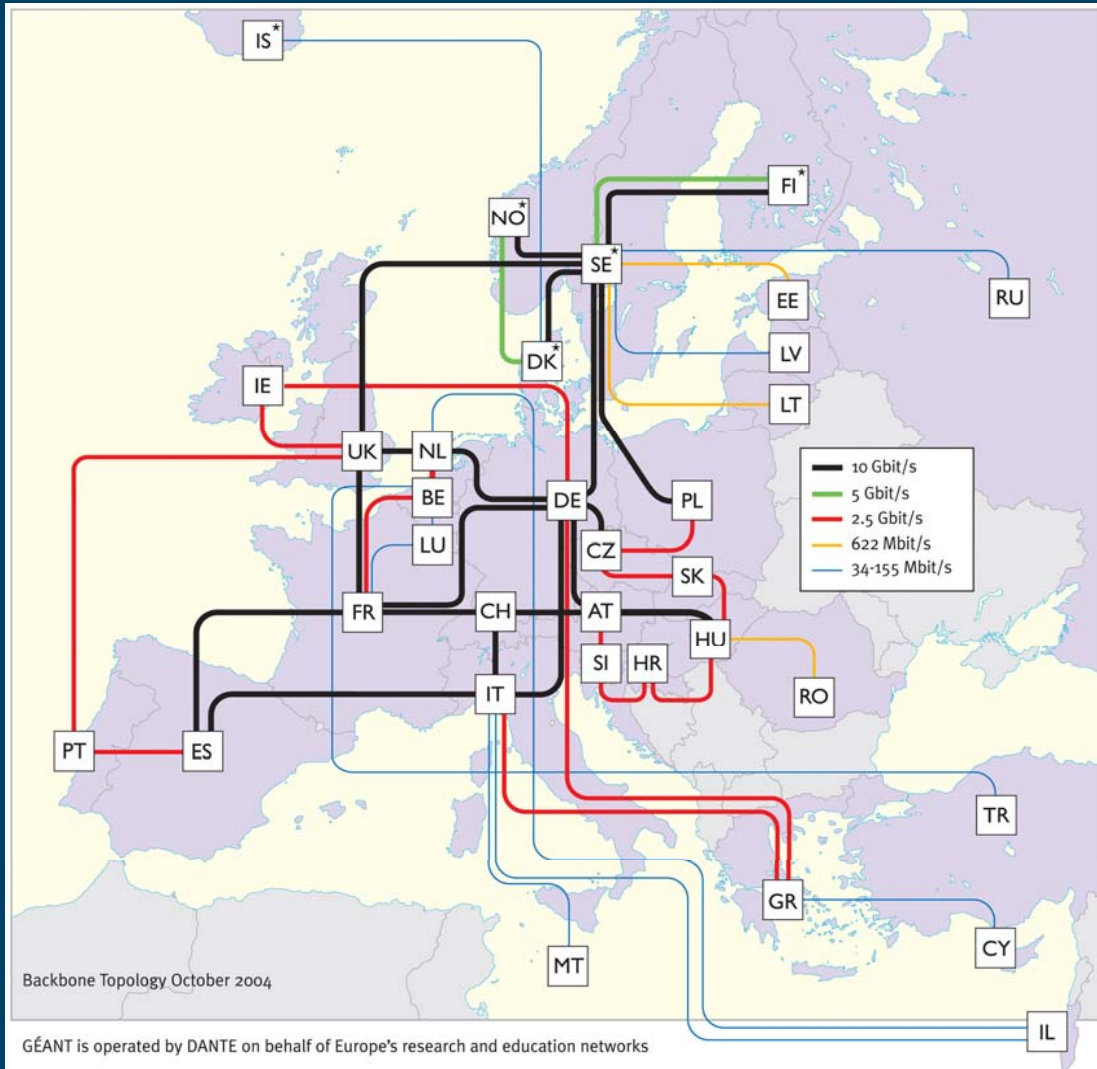


Lightpath Monitoring



GÉANT2





GÉANT Topology

Latest upgrades:

- Estonia – 622 Mbps
- Bulgaria – 155 Mbps